

Product Specification

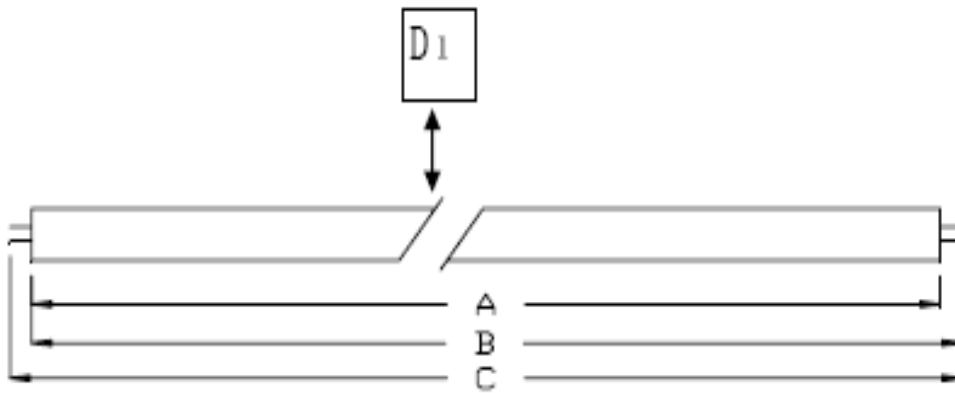
26mm Dip Tube Spec



PRODUCT SPECIFICATION

26mm Dip Tube Spec

*Dimension



Model	Dimension					
	A	B		C		D1
	Max	Min	Max	Min	Max	Max
8W (0.6M)	589.8	594.0	597.0	601.0	604.0	28.0
10W (0.9M)	895.0	897.0	902.0	904.0	909.0	28.0
15W (1.2M)	1199.6	1203.0	1207.0	1210.0	1213.6	28.0
20W (1.2M)	1199.6	1203.0	1207.0	1210.0	1213.6	28.0
15W (1.5M)	1500.0	1503.0	1508.0	1510.0	1514.0	28.0

PRODUCT SPECIFICATION

26mm Dip Tube Spec

*Operating environment:

Description Unit	Range	
Operating Voltage :	85~165 / 165~265	AC (V)
Operating Frequency :	50~60	Hz
Operating Temperature :	-20 ~ +50	°C
Storage temperature :	-20~ +45	°C

*Test Condition

- With the standard Fluorescent light fitting
- Starter Removed
- Use the PMS-50 facility for testing
- 220V RMS AC
- Ambient Temperature : 25°C
- LUX meter @ 3 M distance

*Common Specification

Tube Diameter :	26mm
Led Type :	5mm
Led Viewing Angle :	120°
Forward Current :	18mA (constant)
Operating Life :	30,000-50,000Hrs
Color Temperature :	WW:3000-4500K PW: 5000-6500K CW : Above 7000K

PRODUCT SPECIFICATION

26mm Dip Tube Spec

*Electrial Specification

Model	Description	Active Power (W)	Compare Conventional	Power Factor (PF)
KS-T806PW8D2-001	600mm Dip Tube	8W	20W	>0.95
KS-T809PW10D2-001	900mm Dip Tube	10W	30W	>0.95
KS-T812PW15D2-001	1200mm Dip Tube	15W	40W	>0.95
KS-T812PW20D2-001	1200mm Dip Tube	20W	60W	>0.95
KS-T812PW18D2-001	1500mm Dip Tube	18W	45W	>0.95

* Illumination Specification

Model	Led Qty	Ra	Luminous Flux	Lux @3m	Light Effect (Lm /W)
600mm 8W	120	65~85	750-850-950	50	95-105-115
900mm 10W	180	65~85	1050-1150-1300	80	105-115-125
1200mm 15W	240	65~85	1500-1650-1800	90	100-115-125
1200mm 20W	324	65~85	1950-2150-2350	110	100-115-125
1500mm 18W	300	65~85	1800-2000-2200	100	100-115-125

* Comparison with conventional Tube

Parameters	Led Tube	Normal Tube	Reamrk
Power Consume (W)	8W	20W	
Color Tempaerature (K)	5500	6800	
Luminous Flux (LM)	850	890	600mm
Power Factory	0.97	0.435	
Light Effect (Lm/W)	106	44.5	
Power Consume (W)	15W	45W	
Color Tempaerature (K)	5500	6800	
Luminous Flux (LM)	1750	1465	1200mm
Power Factory	0.97	0.435	
Light Effect (lm/W)	116	36.6	

PRODUCT SPECIFICATION

26mm Dip Tube Spec

* Certification

Model	Description	CE Approval	Rohs Approval
KS-T806PW8D2-001	600mm Dip Tube	Yes	Yes
KS-T809PW10D2-001	900mm Dip Tube	Yes	Yes
KS-T812PW15D2-001	1200mm Dip Tube	Yes	Yes
KS-T812PW20D2-001	1200mm Dip Tube	Yes	Yes
KS-T812PW18D2-001	1500mm Dip Tube	Yes	Yes

CE approved to standards:

EN55015 : 2006 +A1:2007

EN61547 :1995+A1:2000 +A2:2003

EN6100-3-3:1995 +A1:2001 +A2:2005

EN60958-1:2004/A1:2006

EN60598-2-1:1989

Rohs approved to standrads:

EPA: 3050B :1996

EPA: 3052 :1996

EPA:7196 EPA:3540C

EPA:8270C EPA:3060A

EN:1122:2001



* Unique Features

- **Regulated, efficient switching power supply** - other LED tubes are unregulated and run the risk of premature failure with fluctuating mains input. These LED Tubes have been specifically modified to both withstand transients (spikes) and varied supply input.
- **Extensive Testing** - Other suppliers have run no independent tests on the tubes and rely solely on the Chinese manufacturers specifications - of which are varied and inaccurate.
- **Real world Luminous Flux Testing** - Comparative testing has been done against standard T8 Fluorescents with the results showing negligible drops in effective light levels and an increase in effective light with certain models.
- **High compatibility** - Testing has been done with various magnetic ballasts which has shown high compatibility, resulting in an easy fit with only the starter needed to be removed.
- **Ongoing Testing** - Further testing is scheduled to test compatibility with electronic / high frequency ballasts.
- **High efficacy** - Other manufacturers use less efficient LED's resulting in poorer efficacy, this is compounded by inaccurate reports in the real world luminous flux output.

Note: Efficacy refers to Luminous Efficacy which is related to the overall efficiency of a light source for illumination.

PRODUCT SPECIFICATION

26mm Dip Tube Spec

* Special Description

- Use the AC85~AC165 & AC165~AC265 two different driver to insure the light decay
- Adopt the owner-design led chip for the led light source to insure light decay & high luminance
- The power factor above 0.95, it is more than 2 times than the conventional fluorescent lamp
- Use the transparent PVC or AL tube as the cover to insure the safety
- No UV or IR radiation & Lead free
- CE /FCC & ROHS approval

* Installation

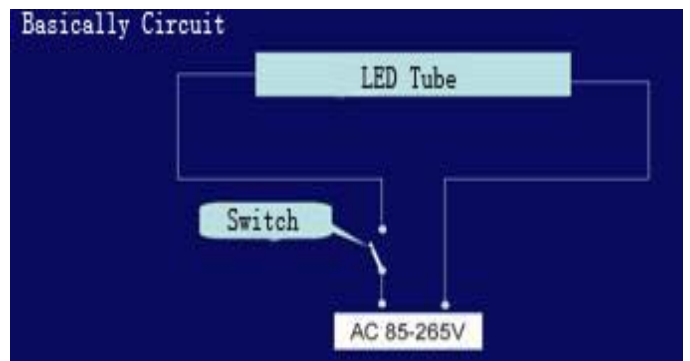
• Fitting with starter

- A. Remove the starter from the fitting
- B. Plug the Led tube into the fitting directly

• Fitting with electrical ballast

- A. Remove the electrical ballast from the fitting
- B. Connect the anode & cathode directly
- C. Plug the Led tube into the fitting

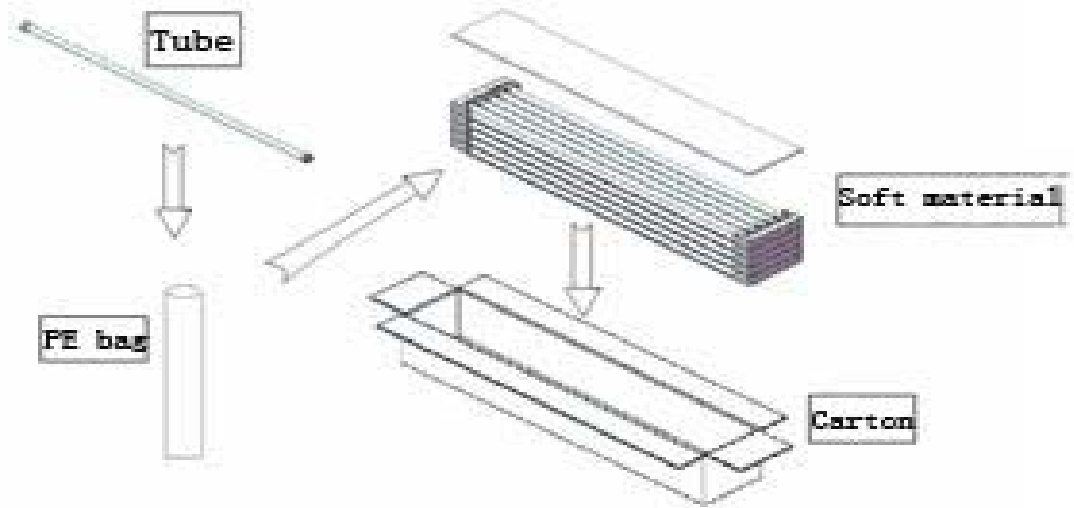
• Finished installation & Circuit Picture



PRODUCT SPECIFICATION

26mm Dip Tube Spec

* Packing



Packing Details

Model Number	Carton Size (CM)	Qty /CTN (pcs)	N.W(kg)	G.W(kg)
KS-T806PW8D2-001	67 * 24 * 22	25	5.0	6.0
KS-T809PW10D2-001	97 * 24 * 22	25	7.5	8.6
KS-T812PW15D2-001	127 * 24 * 22	25	9.5	11.5
KS-T812PW20D2-001	127 * 24 * 22	25	9.5	11.5
KS-T812PW18D2-001	157 * 24* 22	25	12.5	14.0